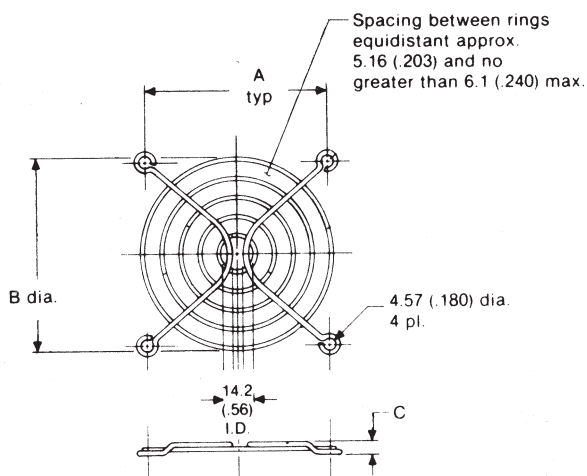




**FINGER GUARDS**

**MATERIAL:** C1010 Steel wire or equivalent.  
**FINISH:** Bright nickel chrome  
**ASSEMBLY:** Spot Welded  
Meets UL .25" dia. plug gage test.  
**DIMENSIONS:** Millimeters (inches)  
**TOLERANCES:** Millimeters - .x = ± .08, .xx = ± 0.25 (inches) --.xx = ± .03, .xxx = ± .010  
Angles - ± 1°

For Use With	P/N	A Dim.	B Dim.	C Dim.	No. of Rings
120 Series	A-120	104.77 (4.125)	115.6 (4.55)	5.6 (.22)	8
92 Series	A-92	82.42 (3.245)	89.4 (3.52)	4.9 (.19)	6
80 Series	A-80	71.37 (2.810)	76.2 (3.00)	4.9 (.19)	5
60 Series	A-60R	50.0 (1.960)	53.1 (2.09)	4.9 (.19)	4
50 Series	A-50	40.0 (1.575)	41.1 (1.62)	4.9 (.19)	3
40 Series	A-40	32.0 (1.260)	29.1 (1.15)	4.9 (.19)	2



**PLUG CORDS & JUMPER CORD**

**MATERIAL:** AWG #18 stranded wire, type SPT-1, black PVC, 300V, rated 60° C.  
UL File No. E-43071; CSA File NO, LL16897

**Plug Cords**

**Part Numbers & Specifications:**

P/N	Length	Plug Config
4001-1	0.9m (3ft)	Right Angle
4001-2	1.8m (6ft)	Right Angle
4004-1	.6m (2ft)	In-Line

Other lengths available upon request.



**Jumper Cord**

**Part Number: 4002**

Length 0.3m (1ft)

**DISCONTINUED**

